

AURORALIGHT

PROJECT: _____

SKU #: _____

TYPE: _____

CYCLOPS

DIR060230

The Cyclops is a Micro-Directional luminaire. The easily replaceable, self contained ball fits snugly into a precision machined socket for exceptional heat dissipation allowing this luminaire to operate at 3 watts.

- US Patent No: D863,607 S
- Cree LED™ XLAMP® High Density (XP-L)
- 3 interchangeable PMMA acrylic optics from 15° to 40°
- Ideal for planters, small greenery & facade



CONFIGURATOR:

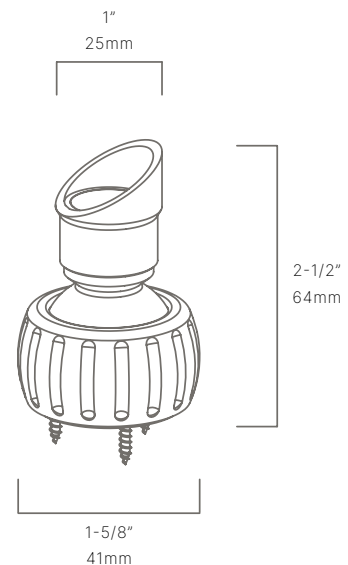
DIR060230	LED	FINISH
	<input type="text"/>	<input type="text"/>
() = Most common configuration	(2703) 2700K 3W (3003) 3000K 3W	(NAT) Natural Brass (BLP) Bronze Living Patina (BLPX) Extra Dark BLP (NI) Nickel PVD

AVAILABLE FINISHES:



FIXTURE DIMENSIONS	L1-5/8" x H2-1/2" x D1"
LIGHT SOURCE	Integrated LED
COLOR TEMPERATURES	2700K, 3000K
WATTAGES	3W
CRI (RA)	80 CRI
VOLTAGE	12V
DELIVERED LUMENS	170lm (3000K)
DIMMABLE	Yes, Dim to <10% via Transformer
DRIVER	Yes, 12V Integral Constant Current
TRANSFORMER	No, 12V AC/DC Transformer Required
MOUNT	Yes, 3 Included Wood Screws
ACCESSORIES	Yes, Included 60° Glare Shield
OPTICS	Yes, Included 15°, 25° & 40°
FINISH	Included Natural Brass
MATERIAL	Brass
WIRE LENGTH	24"
LOCATION	Exterior Wet
CERTIFICATIONS	UL, IP66, IP67

*For complete warranty terms, please visit: www.auroralight.com/warranty/



P. 760.931.2910

O. 2742 Loker Ave. W Carlsbad CA 92010

W. www.auroralight.com

MADE IN USA
WITH DOMESTIC & IMPORTED MATERIALS



AURORALIGHT

PROJECT:

SKU #:

TYPE:

P. 760.931.2910

O. 2742 Loker Ave. W Carlsbad CA 92010

W. www.auroralight.com

MADE IN USA
WITH DOMESTIC & IMPORTED MATERIALS

